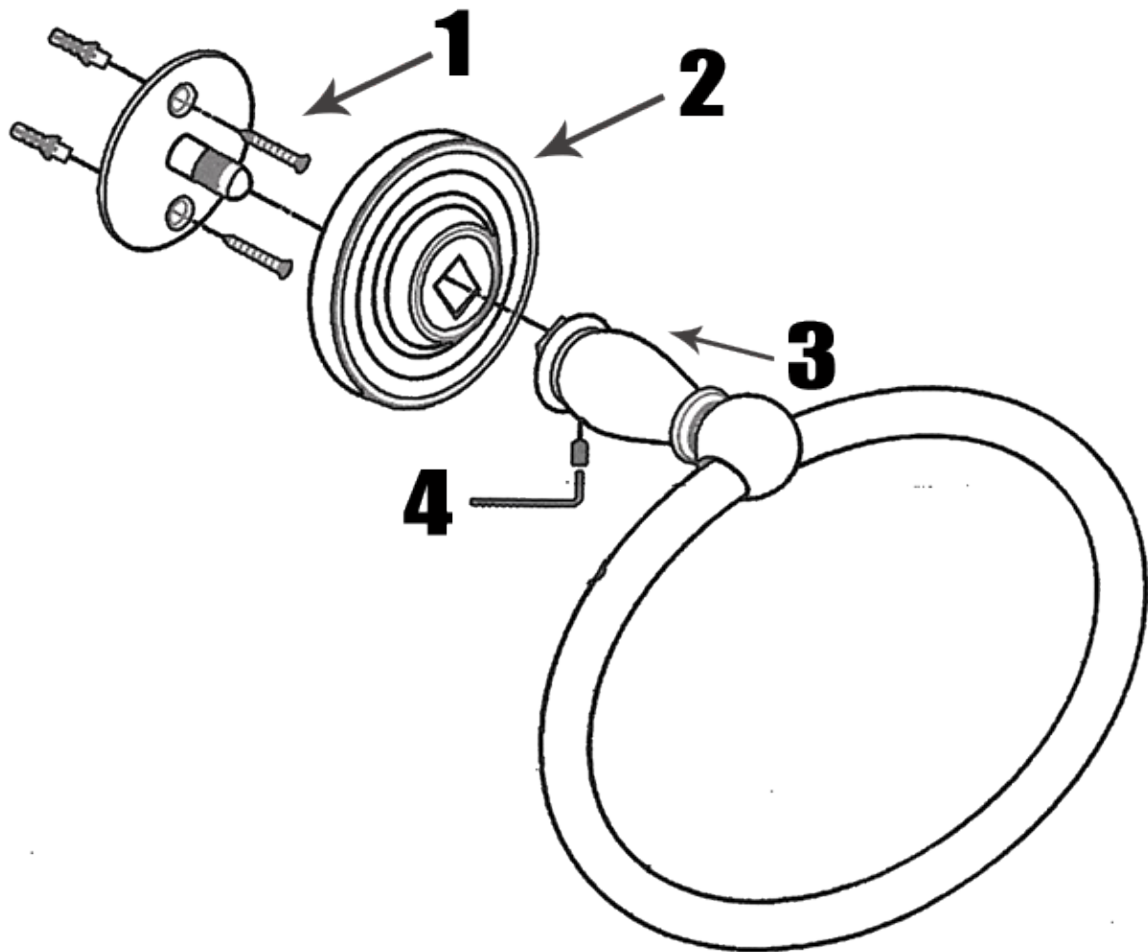


Rusticware

INSTALLATION INSTRUCTIONS

TOWEL RING

Rusticware • 10545 S. Memorial • Tulsa, OK 74133 • www.rusticware.com • 866-369-7878



1. Install the mounting plate and post to wall with the two wall anchors and screws.
2. Slide the decorative plate over the mounting post.
3. Slide the towel ring post onto the mounting post.
4. Secure towel ring by tightening the small set screw on the neck of the post with the included Allen wrench.