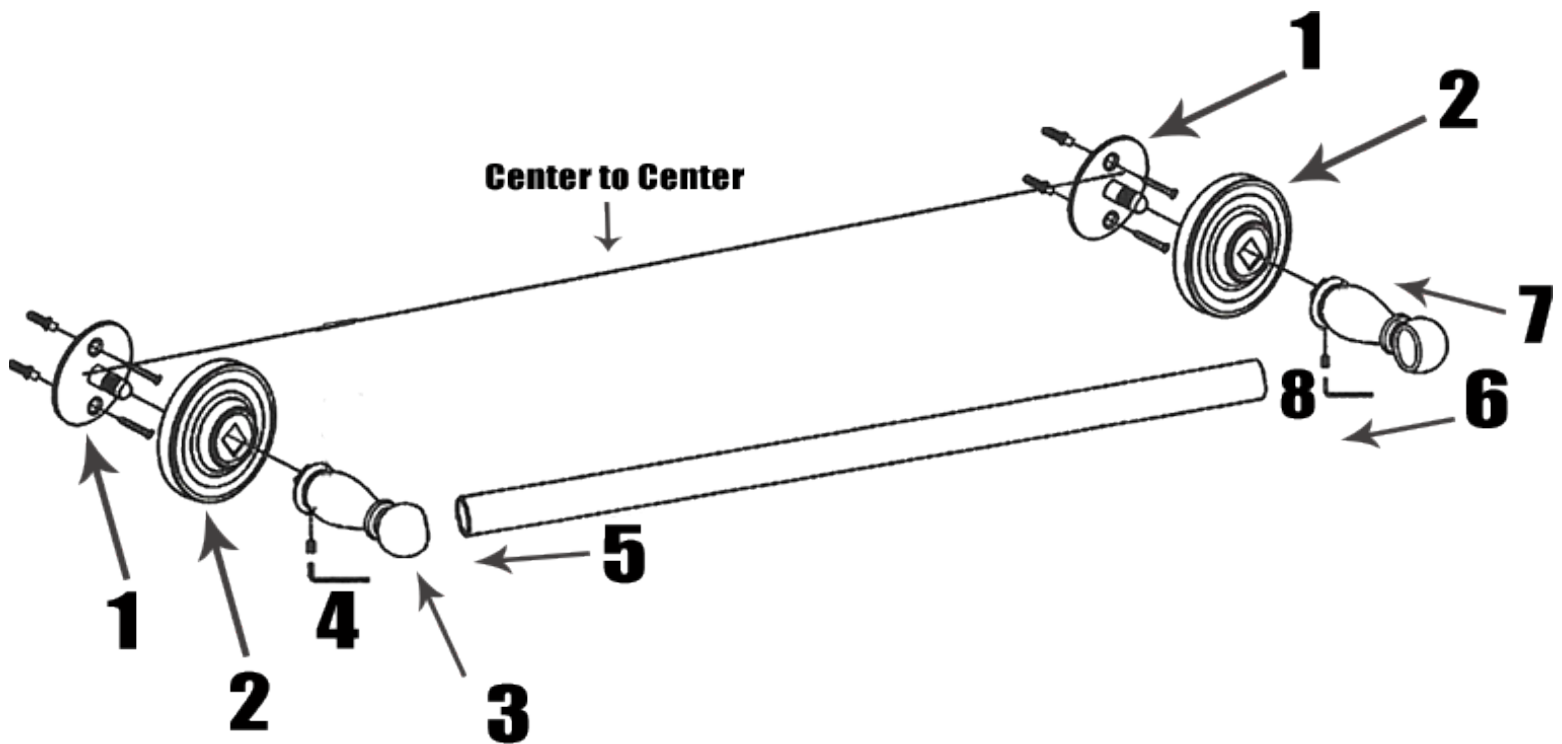


# Rusticware

## INSTALLATION INSTRUCTIONS

## TOWEL BAR

Rusticware • 10545 S. Memorial • Tulsa, OK 74133 • [www.rusticware.com](http://www.rusticware.com) • 866-369-7878



1. Identify and mark center to center measurements for mounting plates and posts. Install both the mounting plates and posts to the wall with the two wall anchors and screws.
2. Slide the decorative plates over the mounting posts.
3. Slide one decorative post onto the mounting post.
4. Secure decorative post by tightening the small set screw on the neck of the post with the included Allen wrench.
5. Slide towel bar into installed decorative post.
6. Slide uninstalled decorative post onto other end of the towel bar.
7. Slide uninstalled decorative post over the mounting post.
8. Secure decorative post by tightening the small set screw on the neck of the post with the included Allen wrench.