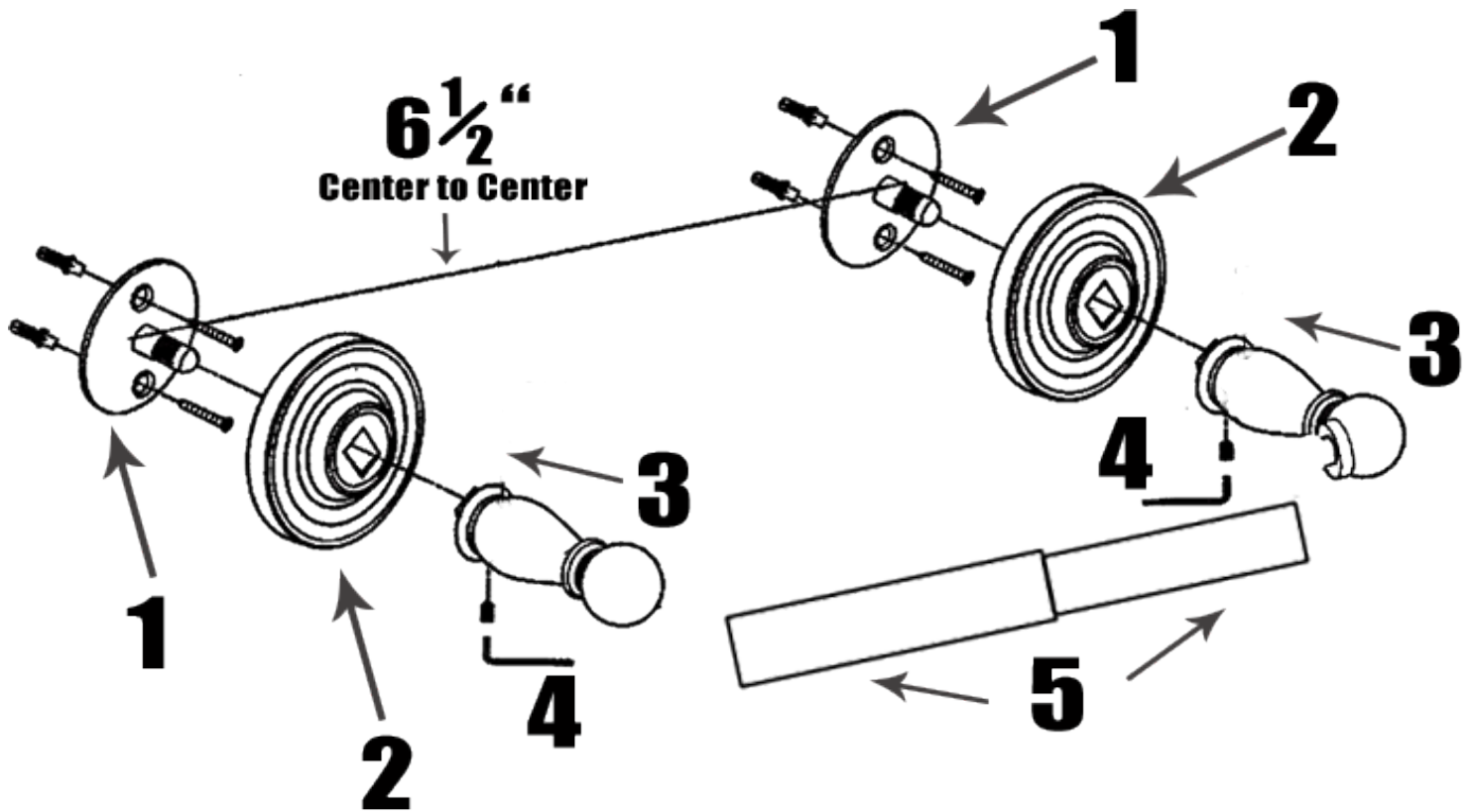


Rusticware

INSTALLATION INSTRUCTIONS

STANDARD TISSUE HOLDER

Rusticware • 10545 S. Memorial • Tulsa, OK 74133 • www.rusticware.com • 866-369-7878



1. Identify and mark $6\frac{1}{2}$ " center to center measurements for mounting plates and posts. Install both the mounting plates and post to wall with the two wall anchors and screws.
2. Slide the decorative plates over the mounting posts.
3. Slide the decorative posts onto the mounting posts.
4. Secure decorative posts by tightening the small set screw on the neck of the posts with the included Allen wrench.
5. Insert spring-loaded roller into decorative posts.