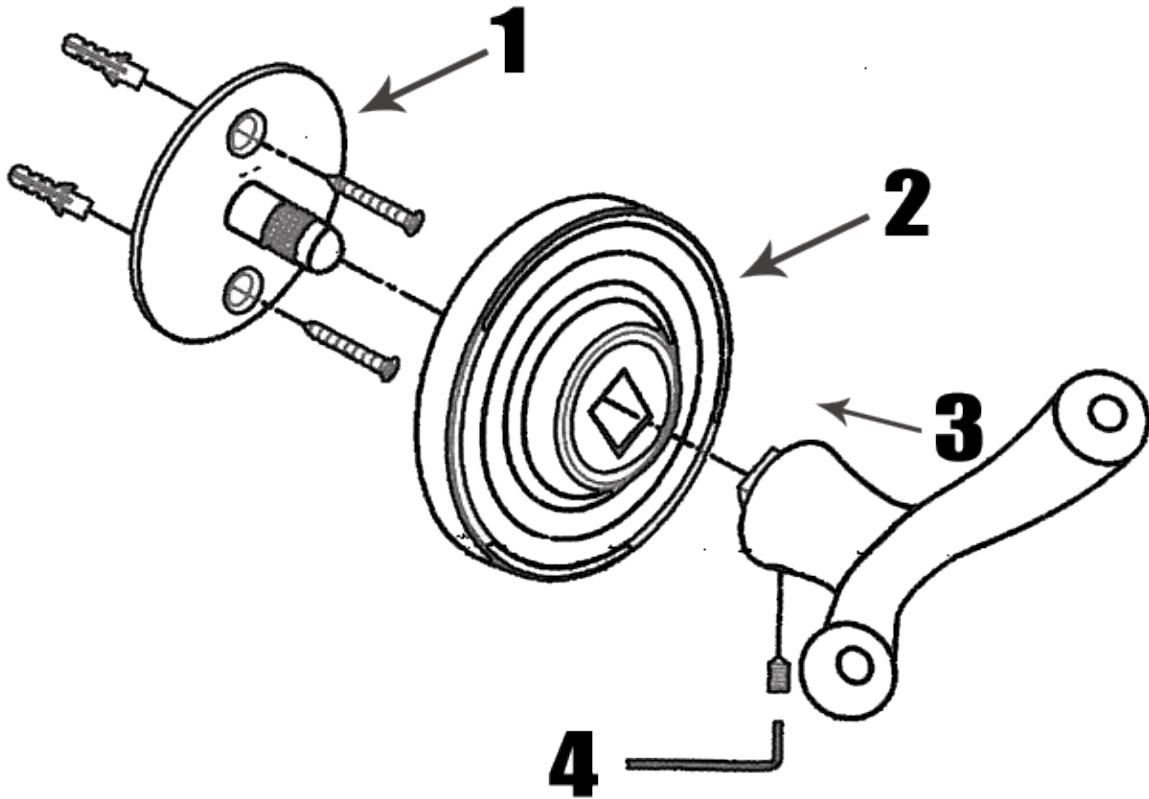


Rusticware

ROBE HOOK

INSTALLATION INSTRUCTIONS

Rusticware • 10545 S. Memorial • Tulsa, OK 74133 • www.rusticware.com • 866-369-7878



1. Install the mounting plate and post to wall with the two wall anchors and screws.
2. Slide the decorative plate over the mounting post.
3. Slide robe hook post onto the mounting post.
4. Secure robe hook by tightening the small set screw on the neck of the hook with the included allen wrench.